



# EPIPHANY ALLOY

Travel: 140mm  
 Wheel Size: 27.5  
 Material: Alloy  
 Color:  Black  
            Blue



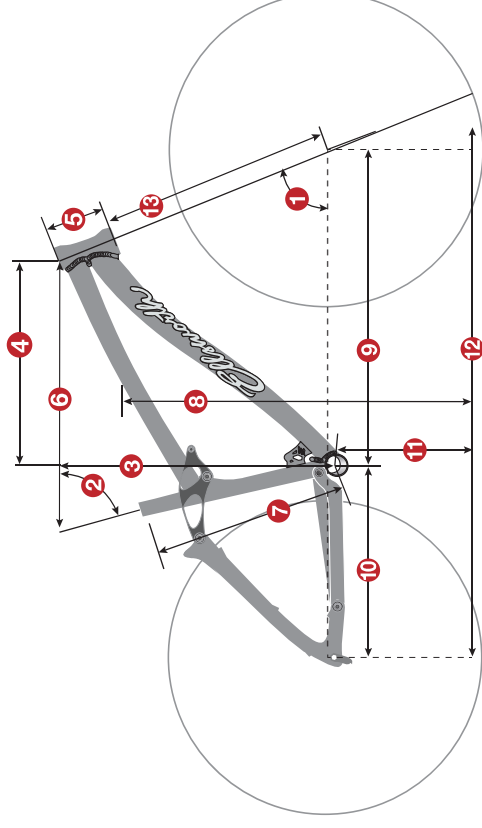
The Epiphany Alloy 27.5 is perfect for ripping down fast trails with sweeping, long radius corners because it pedals so well. It's not so secret that it also excels on mumbly jumbly fall-line descents. It's a do-it-all trail bike with a great suspension and a no-nonsense, Made-in-America attitude. The Epiphany Alloy frame has a slack 66.5 degree head tube angle is fabricated, anodized, and laser etched right here in the USA with a US made and drawn seamless tubeset.

The ACTIVE Energy Efficient Suspension is the benchmark four-bar linkage design against which all others are judged. It successfully isolates pedal and braking forces from bump input through careful placement and movement of the instant center as it tracks the chain force line throughout the travel range. Paired with the custom-tuned Fox DPS rear shock, ACTIVE delivers incredible traction and control throughout the

140mm of rear suspension travel. You'll ride with more confidence and comfort, and you'll know that every ounce of your energy goes into forward motion as you blast down your favorite rocky trail.

The Epiphany Alloy 27.5 employs a tapered head tube to ensure strength and stability for your steering system. It takes a high-direct mount front derailleur, a 30.9mm seatpost, a 73mm English threaded bottom bracket, and a Boost 12x148mm thru-axle rear hub. The frameset comes with a Cane Creek 1-1/8 - 1-1/2" semi-integrated headset and a Hex Taper 12x148mm rear thru-axle. It is recommended for use with a 150mm front suspension fork. Seek and Destroy.

## GEOMETRY



### SIZE

### SMALL MEDIUM LARGE

1. Head Angle (deg)	67.5	67.5	67.5
2. Seat Angle (deg)	73	73	73
3. Stack (mm)	586	589	605
4. Reach (mm)	400	414	434
5. Head Tube (mm)	108	108	130
6. Top Tube (mm)	583	598	624
7. Seat Tube (mm)	406	457	508
8. Standover (mm)	776	779	780
9. Front Center (mm)	688	702	731
10. Chainstay (mm)	438	438	438
11. BB Height (mm)	353	353	353
12. Wheelbase (mm)	1128	1146	1171

## BUILD KITS

	Shimano SLX 1X/2X	Shimano XT 1X/2X	Shimano XTR 1X/2X	SRAM X01 1X
<b>Headset:</b>	Cane Creek 10 series ZS44/56	Cane Creek 10 series ZS44/56	Cane Creek 10 series ZS44/56	Cane Creek 10 series ZS44/56
<b>Fork:</b>	Fox 34 Float 27.5 150mm Kashima Factory Boost	Fox 34 Float 27.5 150mm Kashima Factory Boost	Fox 34 Float 27.5 150mm Kashima Factory Boost	Fox 34 Float 27.5 150mm Kashima Factory Boost
<b>Shock:</b>	Fox Float DPS 140mm Kashima	Fox Float DPS 140mm Kashima	Fox Float DPS 140mm Kashima	Fox Float DPS 140mm Kashima
<b>Crank:</b>	Shimano SLX M7000 1X 32T Boost, SLX M7000 22/36T Boost (2X only)	Shimano XT 8000 1X 32T Boost, XT 8000 26/36T Boost (2X only)	Shimano XTR 9000 32T Boost, Shimano XTR 9000 26/36T Boost (2X only)	SRAM GX 1400 Boost
<b>Bottom Bracket:</b>	Shimano BSA 73mm	Shimano BSA 73mm	Shimano BSA 73mm	SRAM GXP
<b>Brakes:</b>	Shimano M7000	Shimano XT 8000	Shimano XTR 9020	Shimano XT 8000
<b>Shifter(s):</b>	Shimano M7000	Shimano XT 8000	Shimano XTR 9000	SRAM X01
<b>Front Derailleur:</b>	Shimano SLX 7000 Direct Mount (2x only)	Shimano XT 8000 Direct Mount (2x only)	Shimano XTR 9000 Direct mount (2x only)	N/A
<b>Rear Derailleur:</b>	Shimano M7000	Shimano XT 8000	Shimano XTR 9000	SRAM X01
<b>Chain:</b>	Shimano M7000	Shimano XT 8000	Shimano XTR 9000	SRAM PC-1170
<b>Cassette:</b>	Shimano M7000 11-42T	Shimano XT 8000 11-46T	Shimano XTR 11 speed 11-40T	SRAM X01/CS XG1195 10-42T
<b>Wheels:</b>	Stans Arch MK3 275	Stans Arch MK3 275	Stans Arch MK3 275	Stans Arch MK3 275
<b>Wheel upgrade:</b>	N/A	N/A	N/A	N/A
<b>Chainguide:</b>	N/A	N/A	N/A	N/A
<b>Stem:</b>	RaceFace Affect,50mm,35mm clamp	RaceFace Turbine Basic 50mm, 35mm clamp	RaceFace Turbine Basic 50mm, 35mm clamp	RaceFace Turbine Basic 50mm, 35mm clamp
<b>Handlebar:</b>	RaceFace Affect,35mm,20mm Rise,760mm	RaceFace Turbine,35mm,20mm Rise,760mm	RaceFace Next,35mm,20mm Rise, 760mm	RaceFace Turbine,35mm,20mm Rise,760mm
<b>Grips:</b>	Lizard Skin	Lizard Skin Ellsworth	Lizard Skin Ellsworth	Lizard Skin Ellsworth
<b>Saddle:</b>	WTB Volt Ellsworth	WTB Volt Ellsworth	WTB SL8 Ellsworth	WTB Volt Ellsworth
<b>SeatPost:</b>	RaceFace Turbine Dropper 30.9 150mm	RaceFace Turbine Dropper 30.9 150mm	RaceFace Turbine Dropper 30.9 150mm	RaceFace Turbine Dropper 30.9 150mm
<b>Tires:</b>	Maxxis Ardent 275 2.2	Maxxis Ardent 275 2.2	Maxxis Ardent 275 2.2	Maxxis Ardent 275 2.2